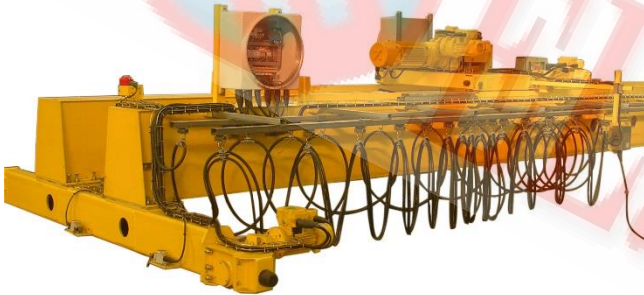
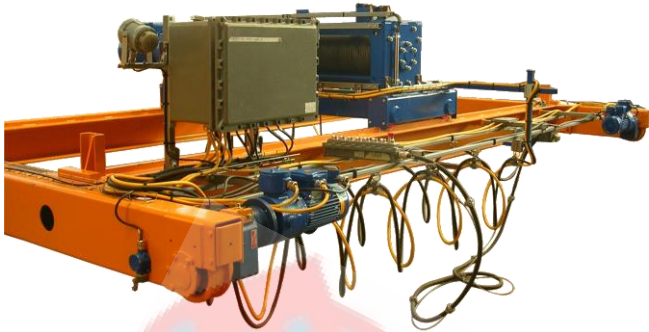


EXPLOSION-PROOF OVERHEAD ELECTRIC CRANES EOTX



EOTX cranes are the best as versatility and features matching requirements of hazardous areas. Our program includes single and double girder overhead travelling cranes. In addition to cranes with box-section girders we offer solutions with rolled steel sections, welded steel box and crane kits

EOTMX single girder overhead travelling cranes

- capacity up to 12,5T
- applying all EX components
- all safety applications

EOTBX double girder overhead travelling cranes

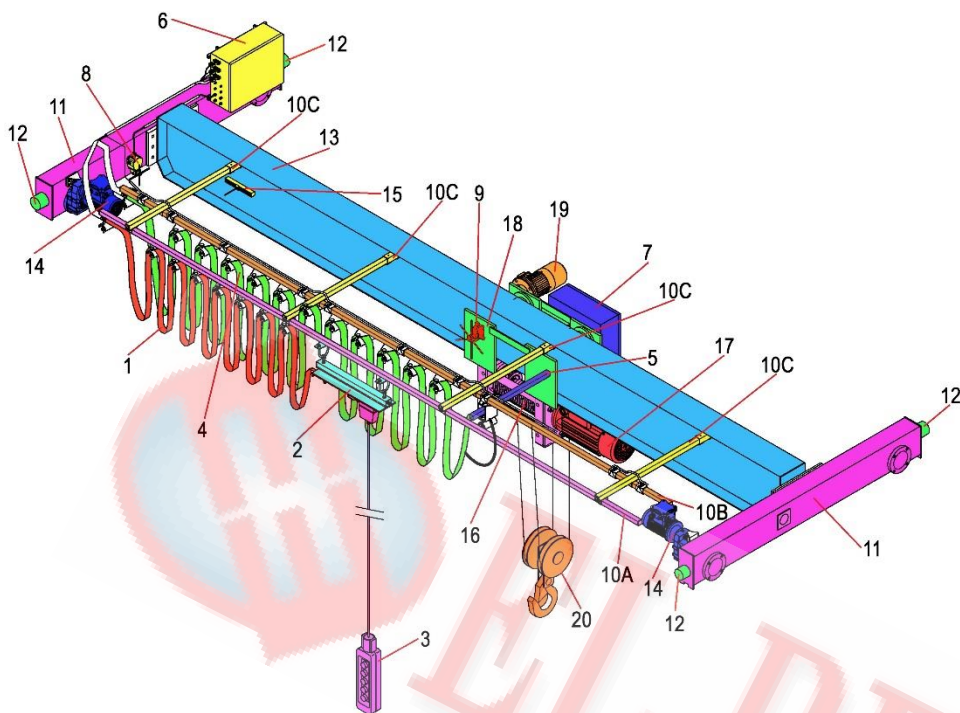
- capacity up to 30T (bigger capacity on request)
- applying all EX components
- all safety applications

APPLICATION	CATEGORY	PROTECTION	EX PROTECTION CLASS
Zone 1	II 2 G	Gas	Exde IIB T4
			Exde II C T4
ZONE 2	II 3 G	Gas	Exde II B T3
ZONE 21	II 2 D	Dust	ExtD A21 IP66
ZONE22	II 3 D	Dust	ExtD A22 IP66



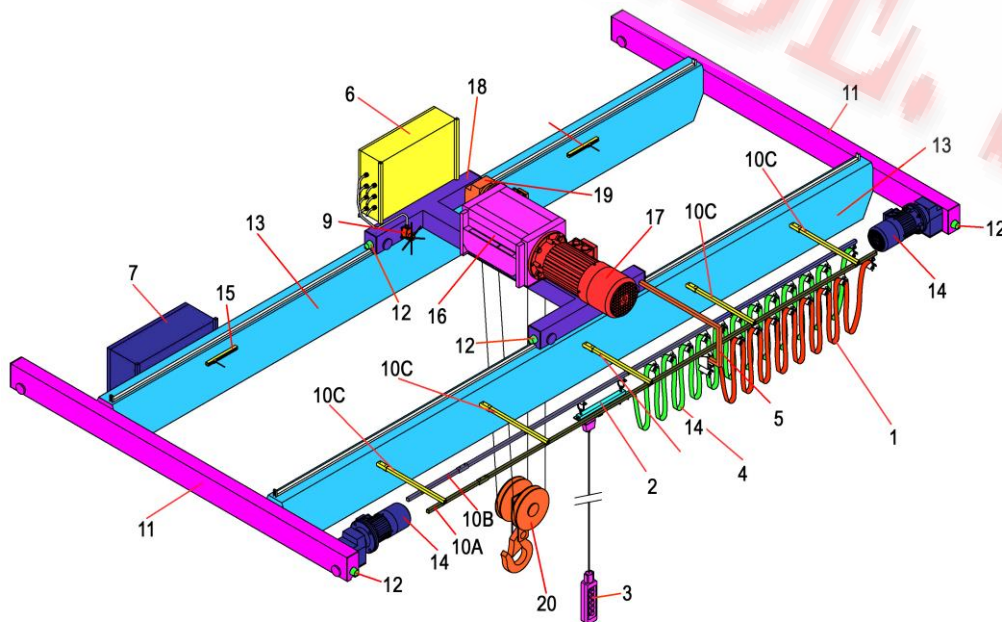
EXPLOSION-PROOF OVERHEAD ELECTRIC CRANES EOTX

Single girder overhead travelling crane EOTMX



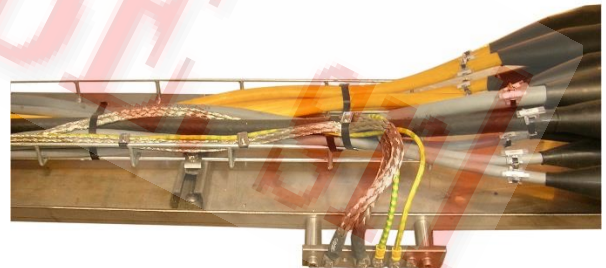
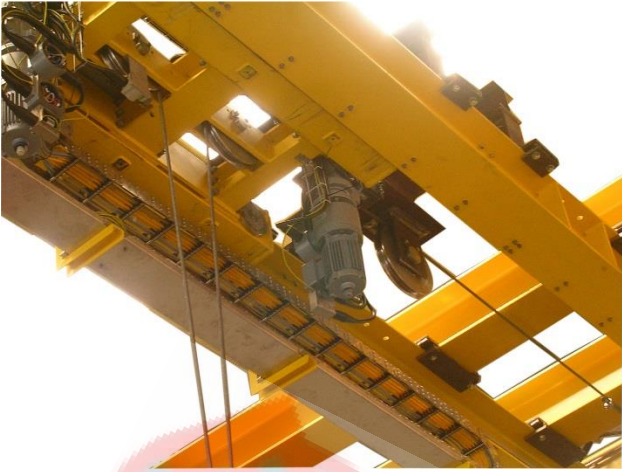
- 1 - PENDANT FESTOON SYSTEM
- 2 - IDEAL CONTROL UNIT TROLLEY WITH PLUG
- 3 - PENDANT WITH CABLE AND CONNECTOR
- 4 - TROLLEY HOIST FESTOON FEEDING LINE
- 5 - TROLLEY FESTOON CABLE TOWING ARM
- 6 - MAIN ELECTRIC CABINET
- 7 - TROLLEY ELECTRIC CABINET OR JUNCTION BOX
- 8 - LONG TRAVEL LIMIT SWITCH
- 9 - TROLLEY LIMIT SWITCH
- 10A - C-RAILS FOR PENDANT FESTOON FEEDING LINE
- 10B - C-RAILS FOR TROLLEY FESTOON FEEDING LINE
- 10C - C-SUPPORT ARM FOR C-RAILS SYSTEM
- 11 - END CARRIAGES
- 12 - BUMPERS
- 13 - GIRDER (BEAM OR STEEL BOX)
- 14 - GEAR MOTORS
- 15 - TROLLEY LIMIT SWITCH MECHANICAL BRACKET
- 16 - HOIST
- 17 - LIFTING MOTOR
- 18 - TROLLEY
- 19 - TROLLEY GEAR MOTOR
- 20 - HOOK

Double girder overhead travelling crane EOTBX



- 1 - PENDANT FESTOON SYSTEM
- 2 - IDEAL CONTROL UNIT TROLLEY WITH PLUG
- 3 - PENDANT WITH CABLE AND CONNECTOR
- 4 - TROLLEY HOIST FESTOON FEEDING LINE
- 5 - TROLLEY FESTOON CABLE TOWING ARM
- 6 - MAIN ELECTRIC CABINET
- 7 - TROLLEY ELECTRIC CABINET OR JUNCTION BOX
- 8 - LONG TRAVEL LIMIT SWITCH
- 9 - TROLLEY LIMIT SWITCH
- 10A - C-RAILS FOR PENDANT FESTOON FEEDING LINE
- 10B - C-RAILS FOR TROLLEY FESTOON FEEDING LINE
- 10C - C-SUPPORT ARM FOR C-RAILS SYSTEM
- 11 - END CARRIAGES
- 12 - BUMPERS
- 13 - GIRDER (BEAM OR STEEL BOX)
- 14 - GEAR MOTORS
- 15 - TROLLEY LIMIT SWITCH MECHANICAL BRACKET
- 16 - HOIST
- 17 - LIFTING MOTOR
- 18 - TROLLEY
- 19 - TROLLEY GEAR MOTOR
- 20 - HOOK BLOCK

EXPLOSION-PROOF OVERHEAD ELECTRIC CRANES EOTX



EXPLOSION-PROOF OVERHEAD ELECTRIC CRANES EOTX



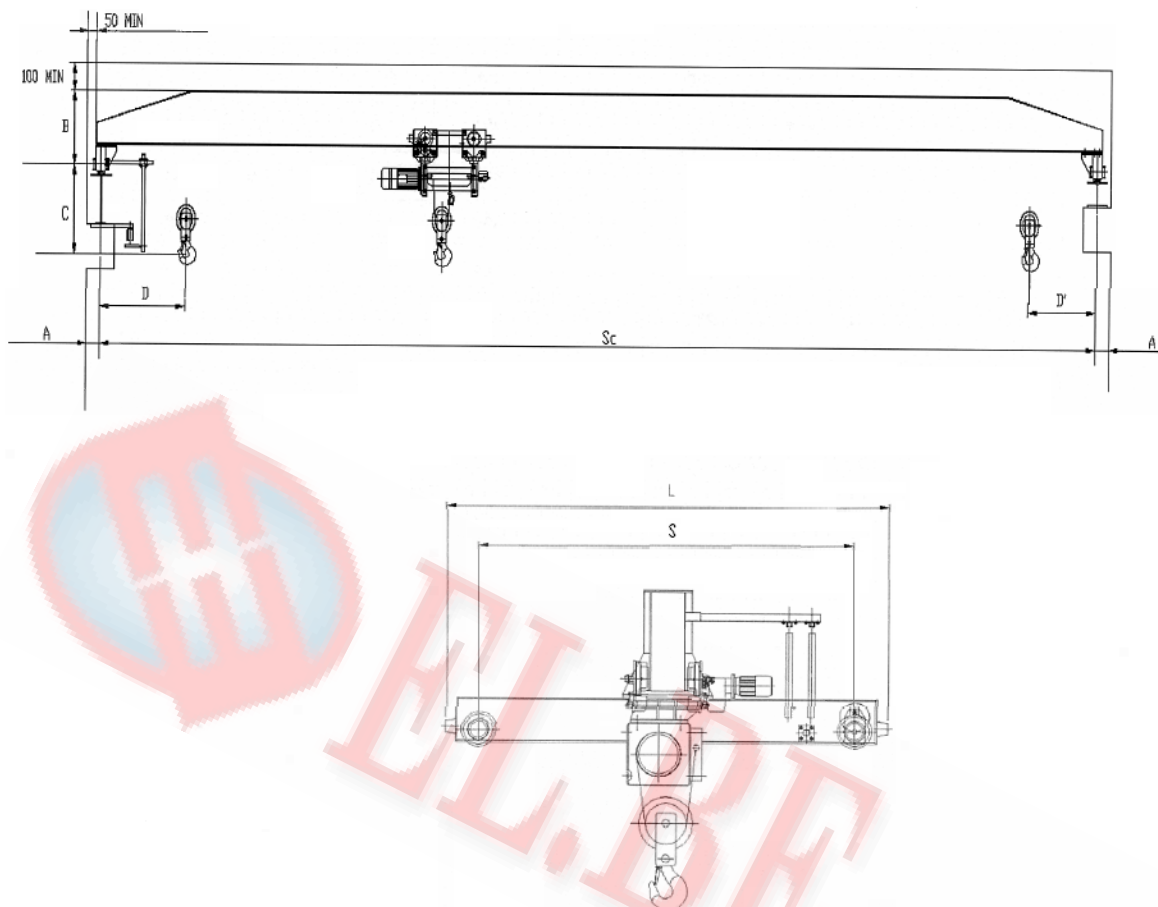
EXPLOSION-PROOF OVERHEAD ELECTRIC CRANES EOTX





EXPLOSION-PROOF OVERHEAD ELECTRIC CRANES EOTX

EOTMX



CAPACITY	SC	b	S	L	A	B	C	D/D'	G
Kg	m	mm	mm	mm	mm	mm	mm	mm	mm
1000	05-giu	40	1800	2250	100	300	830	700/500	300
	07-ago	40	1800	2250	100	350	830	700/500	300
	08-ott	40	1800	2250	100	400	830	700/500	300
	11-dic	40	1800	2250	100	450	830	700/500	300
	13/14	40	2100	2250	100	500	830	700/500	300
	15/17	40	2500	2250	100	500	830	700/500	300
	18/20	40	3000	2250	100	500	830	700/500	300
2000	05-ago	40	1800	2250	100	500	920	700/500	300
	9	40	1800	2250	100	550	920	700/500	300
	10-nov	40	1800	2250	100	600	920	700/500	300
	12	40	1800	2250	100	650	920	700/500	300
	13/14	40	2100	2250	100	650	920	700/500	300
	15/17	40	2500	2550	100	650	920	700/500	300
	18/19	40	3000	2950	100	650	920	700/500	300



EXPLOSION-PROOF OVERHEAD ELECTRIC CRANES EOTX

	20	40	3000	3450	100	650	920	700/500	300
--	----	----	------	------	-----	-----	-----	---------	-----

CAPACITY	SC	b	S	L	A	B	C	D/D'	G
Kg	m	mm	mm	mm	mm	mm	mm	mm	mm
3200	05-giu	40	1800	2250	100	500	920	800/600	300
	07-set	40	1800	2250	100	550	920	800/600	300
	10-nov	40	1800	2250	100	600	920	800/600	300
	12	40	1800	2250	100	650	920	800/600	300
	13/14	40	2100	2550	100	650	920	800/600	300
	15/17	40	2500	2950	100	650	920	800/600	300
	18/19	40	3000	3450	100	650	920	800/600	300
5000	05-set	40	1800	2250	100	550	1080	900/600	300
	10-dic	40	1800	2250	100	600	1080	900/600	300
	13/14	40	2100	2550	100	650	1080	900/600	300
	15/16	40	2500	2950	100	650	1080	900/600	300
6300	05-set	40	1800	2250	100	550	1080	900/600	300
	10-nov	40	1800	2250	100	600	1080	900/600	300
	12	40	1800	2250	100	650	1080	900/600	300
	13/14	40	2100	2550	100	650	1080	900/600	300
	15	40	2500	2950	100	650	1080	900/600	300
8000	05-set	40	1800	2250	100	550	1280	1050/700	300
	10-nov	40	1800	2250	100	600	1280	1050/700	300
	12	40	1800	2250	100	650	1280	1050/700	300
	13/14	40	2100	2550	100	650	1280	1050/700	300
10000	05-ago	40	1800	2320	100	550	1280	1050/700	300
	9	40	1800	2320	100	600	1280	1050/700	300
	10	40	1800	2320	100	650	1280	1050/700	300



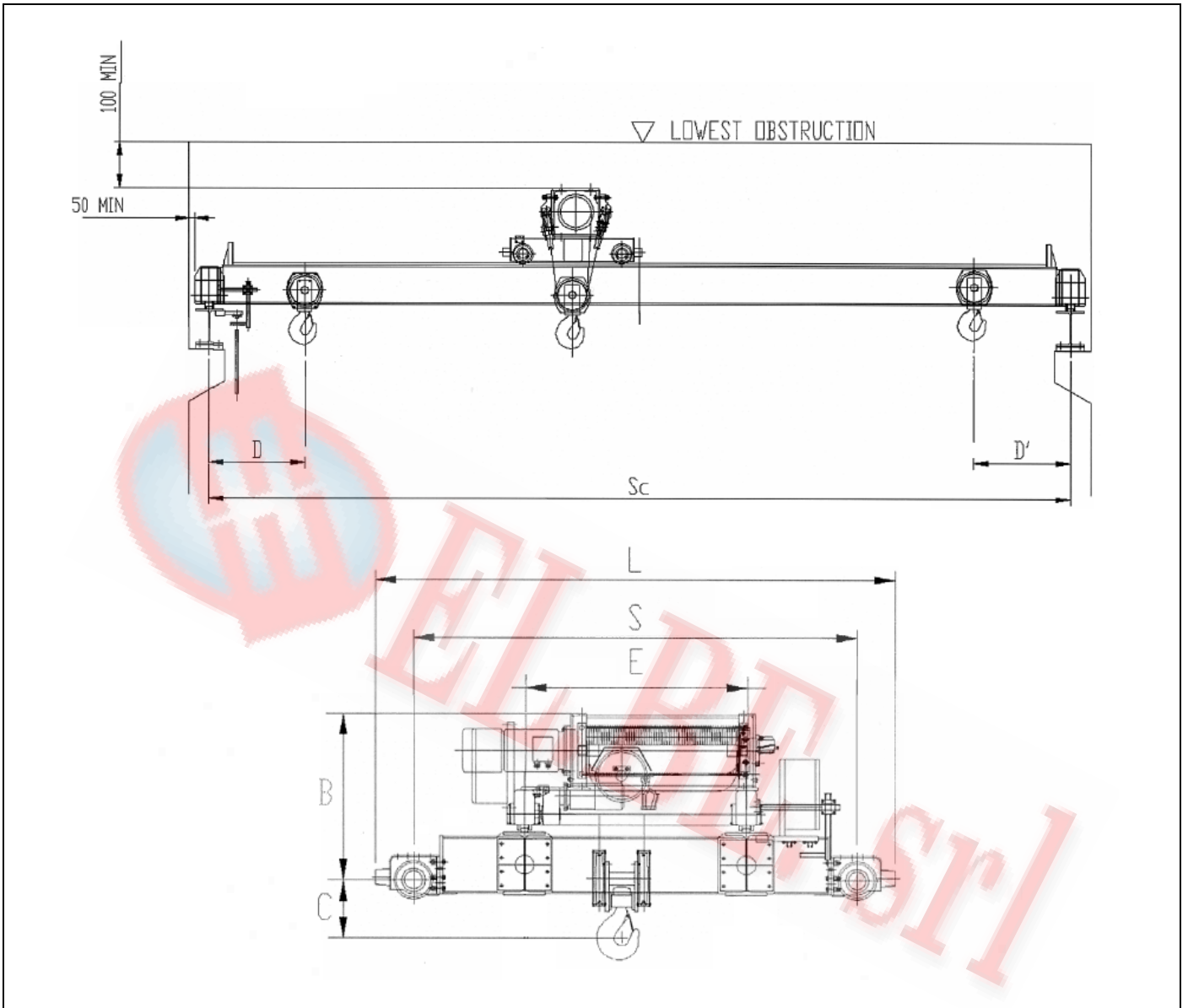
EXPLOSION-PROOF OVERHEAD ELECTRIC CRANES EOTX

REACTIONS															max reaction	
															min reaction	
CAPACITY	SPAN (m)															
Kg	5	6	7	8	9	10	11	12	13	14	15	16	17	18	19	20
1000	750	750	800	800	850	900	900	950	1050	1100	1150	1200	1250	1300	1400	1550
	200	200	250	250	300	350	350	400	450	550	600	650	700	750	850	950
1250	850	900	900	950	950	1000	1050	1100	1200	1200	1300	1350	1450	1500	1600	1750
	200	250	250	250	300	350	400	450	500	550	600	700	750	800	900	1050
1600	1050	1050	1100	1150	1150	1200	1250	1300	1350	1450	1550	1600	1650	1750	1800	1900
	250	250	250	300	300	350	400	400	500	600	700	750	750	900	900	1050
2000	1200	1250	1300	1300	1350	1400	1450	1500	1600	1700	1750	1850	1900	1950	2050	2250
	250	250	300	300	350	400	400	500	600	650	700	800	850	900	1000	1150
2500	1450	1500	1550	1600	1650	1650	1700	1800	1850	1950	2050	2100	2200	2250	2350	2650
	250	300	300	350	350	400	450	500	550	650	750	800	900	950	1050	1350
3200	1000	1850	1900	1950	2000	2100	2100	2200	2250	2350	2450	2500	2550	2750	2950	-
	300	300	350	350	400	450	500	550	600	700	800	850	900	1050	1300	-
4000	2150	2200	2300	2350	2400	2500	2550	2650	2700	2800	2850	2950	3050	3300	-	-
	300	300	350	400	450	500	550	650	650	750	850	900	1000	1250	-	-
5000	2700	2800	2850	2950	3050	3100	3150	3250	3300	3400	3450	3550	-	-	-	-
	350	400	400	450	500	550	600	700	750	800	900	950	-	-	-	-
6300	3300	3400	3500	3600	3700	3750	3800	3050	4000	4100	4150	-	-	-	-	-
	350	400	450	500	550	600	650	700	800	850	950	-	-	-	-	-
8000	4150	4300	4450	4550	4650	4750	1850	4950	5050	5150	-	-	-	-	-	-
	450	450	550	550	600	700	750	850	900	1000	-	-	-	-	-	-
10000	5100	5250	5400	5550	5650	5800	-	-	-	-	-	-	-	-	-	-
	500	550	600	650	700	800	-	-	-	-	-	-	-	-	-	-
12500	6450	6700	-	-	-	-	-	-	-	-	-	-	-	-	-	-
	600	650	-	-	-	-	-	-	-	-	-	-	-	-	-	-

EXPLOSION-PROOF OVERHEAD ELECTRIC CRANES EOTX



EOTBX





EXPLOSION-PROOF OVERHEAD ELECTRIC CRANES EOTX

CAPACITY	Sc	b	S	L	A	B	C	D	E
Kg	m	mm	mm	mm	mm	mm	mm	mm	mm
1000	8/17	40	2500	3000	100	820	350	700	1000
2000	18/21	40	3000	3500	100	860	310	700	1000
3200	22/25	40	3700	4200	100	860	310	700	1000
4000	26	40	3700	4200	100	900	270	700	1000
5000	27/30	40	4500	5000	100	900	270	700	1000
6300	8/18	40	2700	3050	100	850	500	800	1200
	19/21	40	3000	3550	100	950	410	800	1200
	22/24	40	3700	4200	100	950	400	800	1200
	25	40	3700	4300	100	950	400	800	1200
	26	40	3700	4300	100	1000	350	800	1200
	27/30	40	4500	5100	100	1000	350	800	1200
8000	8/16	40	2700	3050	100	850	500	800	1200
	17/18	40	2700	3050	100	900	450	800	1200
	19/20	40	3000	3550	100	950	400	800	1200
	21	40	3000	3600	100	950	400	800	1200
	22/25	40	3700	4300	100	1020	330	800	1200
	26	50	3700	5200	100	1070	280	800	1200
	27/30	50	4500	5200	100	1070	280	800	1200
10000	8/12	40	2700	3050	100	1000	600	850	1200
	13/18	40	2700	3350	100	1100	500	850	1200
	19/20	40	3000	3650	100	1090	510	850	1200
	21	40	3000	3650	100	1090	550	850	1200
	22/25	40	3700	4400	100	1150	450	850	1200
	26	40	3700	4400	100	1230	370	850	1200
	27/30	40	4500	5200	100	1230	370	850	1200
12500	8/11	40	2700	3350	100	1100	500	1050	1200
	12/16	50	2700	3350	100	1080	520	1050	1200
	17	50	3000	3650	100	1070	530	1050	1200
	18/21	50	3000	3650	100	1150	550	1050	1200
	22/25	50	3700	4400	100	1150	450	1050	1200
	26	50	3700	4400	100	1250	350	1050	1200
	27/30	50	4500	5200	100	1250	350	1050	1200
16000	8/11	50	3000	3650	100	1320	580	1050	1200
	12/17	50	3000	3650	100	1400	500	1050	1200
	18/20	50	3000	3650	100	1370	530	1050	1200
	21	50	3000	3650	140	1370	530	1050	1200
	22/25	50	3700	4400	140	1500	400	1050	1200
	26	50	3700	4400	140	1600	300	1050	1200
	27/30	50	4500	5200	140	1600	200	1050	1200
20000	8/14	50	4200	4900	100	1400	500	1400	2000



EXPLOSION-PROOF OVERHEAD ELECTRIC CRANES EOTX

	15	50	4200	4900	140	1450	450	1400	2000
	16/24	50	4700	5400	140	1450	450	1400	2000
	25/30	60	4700	5600	160	1550	350	1400	2000
25000	8/15	50	4200	4900	140	1550	450	1400	2000
	16/30	60	4700	5600	160	1650	350	1400	2000
30000	8/15	60	4200	5100	160	1600	800	1400	2000
	16/26	60	4700	5600	160	1650	750	1400	2000
	27/30	70	4700	5600	160	1650	750	1400	2000

		REACTIONS																MAX REACTION	
																		MIN REACTION	
CAPACITY	SPAN (m)																		
	Kg	8	9	10	11	12	13	14	15	16	17	18	19	20	21	22	23	24	25
1000	1050	1050	1100	1150	1200	1200	1250	1300	1350	1400	1500	1550	1600	1650	1750	1800	1900	1950	
	400	400	450	500	500	550	600	650	700	700	800	850	900	950	1050	1100	1200	1250	
2000	1500	1550	1600	1650	1700	1750	1800	1900	1950	2000	2100	2150	2250	2350	2500	2600	2700	2800	
	400	450	500	550	550	600	650	700	750	800	900	1000	1100	1150	1300	1400	1500	1600	
2500	1750	1800	1850	1900	1950	2050	2100	2150	2200	2300	2400	2500	2600	2700	2850	2900	3000	3150	
	400	450	500	550	600	650	700	700	800	850	1000	1100	1200	1250	1400	1500	1550	1750	
3200	2100	2150	2250	2300	2350	2400	2450	2550	2650	2750	2900	3000	3050	3150	3350	3400	3550	3700	
	450	500	500	550	600	650	700	800	900	950	1100	1200	1250	1350	1550	1600	1750	1900	
4000	2500	2550	2650	2700	2750	2850	2950	3050	3150	3250	3350	3450	3550	3650	3850	4000	4150	4250	
	450	500	550	600	650	700	800	850	950	1050	1150	1250	1400	1450	1650	1800	1950	2050	
5000	2950	3050	3150	3200	3300	3350	3500	3600	3400	3750	3950	4050	4200	4300	4500	4650	4800	4950	
	450	500	550	600	700	750	850	950	1050	1100	1250	1350	1500	1650	1800	1950	2100	2250	
6300	3700	3800	3900	4000	4100	4200	4300	4400	4550	4650	4850	4950	5050	5200	5400	5550	5800	6000	
	500	550	600	650	750	850	950	1000	1150	1250	1400	1500	1650	1750	1950	2100	2350	2550	
8000	4500	4600	4700	4850	4950	5050	5200	5300	5450	5650	5850	5950	6100	6350	6550	6700	6850	7000	
	550	550	650	750	850	900	1050	1150	1250	1450	1600	1750	1850	2050	2300	2400	2600	2700	
10000	5500	5650	5850	6000	6100	6250	6400	6550	6700	6850	7100	7300	7450	7650	7900	8150	8400	8600	
	600	650	750	850	950	1050	1150	1300	1400	1500	1750	1950	2100	2250	2500	2700	2950	3150	
12500	6650	6850	7000	7150	7350	7550	7700	7850	8000	8250	8450	8650	8800	9050	9350	9600	9850	10000	
	650	750	800	900	1050	1150	1300	1400	1550	1750	1950	2100	2250	2450	2750	2950	3200	3350	
16000	8300	8550	8750	8950	9150	9400	9550	9750	10000	10200	10400	10700	10950	11200	11650	11750	12100	12500	
	800	850	950	1050	1150	1300	1400	1550	1750	1950	2100	2350	2550	2800	3200	3300	3650	4000	
20000	10300	10600	10900	11150	11450	11700	11950	12350	12600	12850	13150	13400	13600	13900	14200	14500	14900	15450	
	1100	1150	1250	1350	1500	1600	1800	2100	2250	2450	2700	2900	3050	3300	3550	3850	4200	4700	
25000	12800	13200	13500	13800	14150	14450	14750	10500	15600	15900	16100	16400	16700	17150	17450	17850	18350	18550	
	1450	1500	1550	1650	1800	1950	2100	2300	2750	2950	3050	3300	3550	3950	4150	4500	4950	5100	
32000	16050	16550	16950	17300	17650	18050	18400	18800	19100	19500	19900	20300	20650	21100	21400	21750	22100	22600	
	1900	1950	2000	2050	2100	2300	2450	2700	2900	3200	3450	3800	4050	4400	4650	4950	5200	5650	